

860

HEAVY DUTY SCREEN



860

HEAVY DUTY SCREEN



The Finlay® 860 mobile scalper is a compact and aggressive forward facing heavy duty screen.

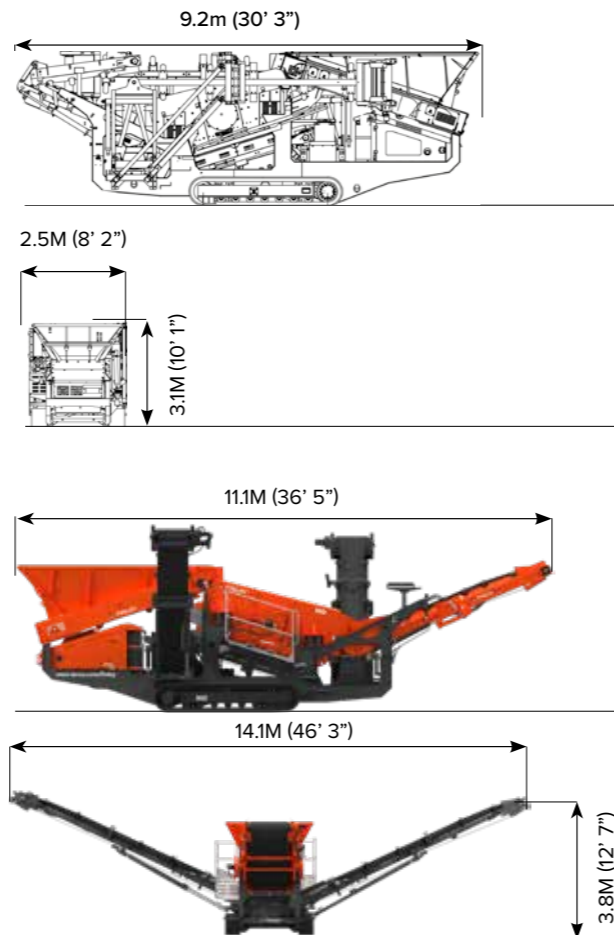
This highly versatile and flexible machine excels in primary and secondary screening applications such as aggregates, sand and gravel, top soil, construction demolition and recycling applications where site space is at a premium.

The fully self-contained plant can be hydraulically folded and ready for transport in less than 30 minutes and can be fed by a crusher, screener or loader making it the ideal machine for contract screening and small scale operators.

FEATURES:

- Aggressive screen box can accept bofor bars, screenharps, woven mesh, punch plate and cascade fingers.
- The modular design ensures that the efficient and aggressive 2.77m x 1.22m (9' 1" x 4') screen box delivers exceptional throughput capacity.
- The longitudinal configuration of the powerpack provides the operator with an engine compartment designed to enable excellent access for maintenance and service.
- T-Link telematics hardware and software along with free seven year data subscription are fitted and installed as standard.

TRANSPORT DIMENSIONS



MACHINE WEIGHT: 16,700KG (36,817LBS)
STANDARD MACHINE CONFIGURATION

1 HOPPER/FEDER

Hopper Capacity: 2.9m³ (3.8yd³)
Feed height: 3.08m (10' 1")
Feed in width: 2.19m (7' 2")

2 UNDERCARRIAGE

Shoe Width: 400mm (16")
Dual Speed Tracking
Gradeability: 36° (slow) 16° (fast)
Raking Angle: 9° min

3 SCREENBOX

Top deck: 2.77m x 1.22m (9' 1" x 4')
Bottom deck: 2.68m x 1.22m (8' 10" x 4')
Fixed Angle: 14°
Total screening area: 6.7m² (72ft²)



T-LINK TELEMATICS

T-Link telematics hardware and software along with free seven year data subscription are fitted and installed as standard.

4 FINES CONVEYOR

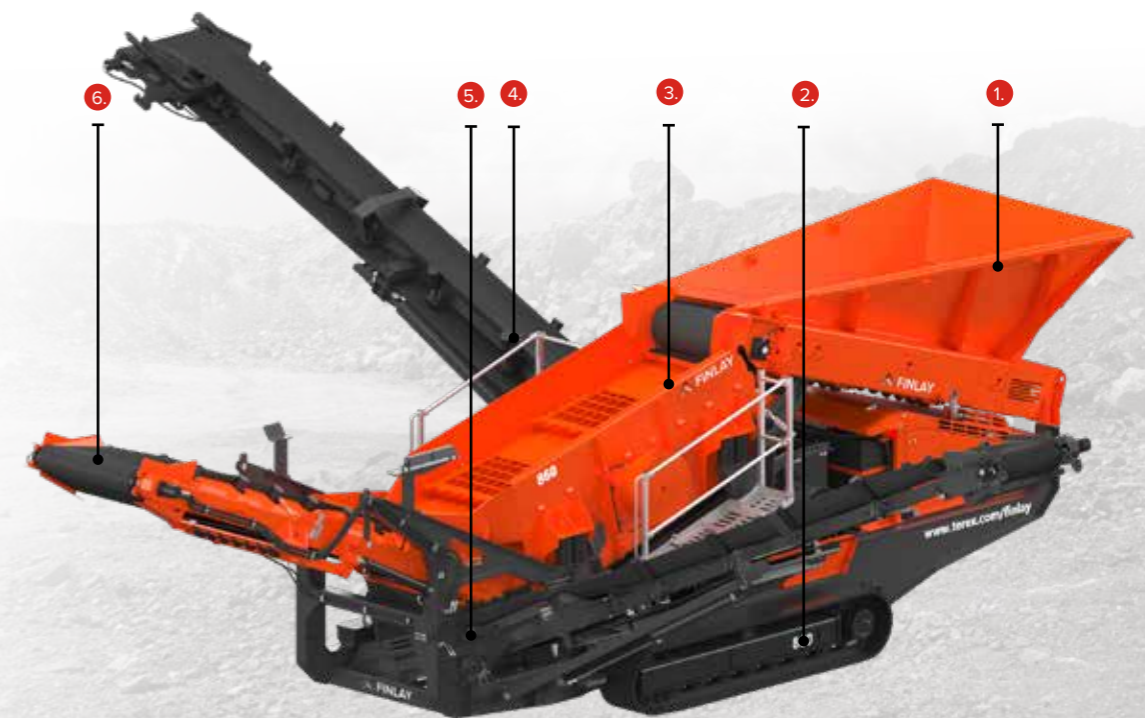
Belt width: 650mm (2' 2")
Fixed Angle: 25°
Discharge Height: 3.82m (12' 7")
Stockpile capacity: 83m³ (108yd³)

5 MIDGRADE CONVEYOR

Belt width: 650mm (26")
Fixed Angle: 25°
Discharge Height: 3.64m (11' 11")
Stockpile capacity: 72m³ (94yd³)max

6 OVERSIZE PLUS CONVEYOR

Belt width: 1000mm (40")
Fixed Angle: 23°
Discharge Height: 3.03m (9' 11")
Stockpile capacity: 41m³ (54yd³) max





The material in this document is for information only and is subject to change without notice.

Finlay® assumes no liability resulting from errors or omissions in this document, or from the use of the information contained herein.

Due to continual product development we reserve the right to change specifications without notice. Product performance figures given in this brochure are for guidance purposes only, this information does not constitute an expressed or implied warranty or guarantee, but shows test examples. These results will vary depending on application. Photographs are for illustrative purposes only; some or all of the machines in the illustrations may be fitted with optional extras. Please check with your Dealer for details on optional extras.

Published and Printed in 2022

www.terex.com/finlay

E: sales@terexfinlay.com

T: +44 28 82 418 700

