



Dynapac DR7


Rammers





Technical data

 Masses	
Net mass	66 kg
Operating mass	67 kg

 Traction	
Max. area coverage	336 m ²
Max. working speed	20 m/min

 Compaction	
Impact force, kN	16 kN
Vibration frequency	10.0 – 11.8 Hz

 Engine	
Manufacturer/Model	Honda GX 100
Number of cylinders	1
Type	Air cooled gasoline
Emissions according to	CARB Phase III
Rated power	2.3 kW
Fuel tank capacity	3 l
Fuel consumption /h, avg.	0.9 l

 Drive system	
Drive system	Mechanical

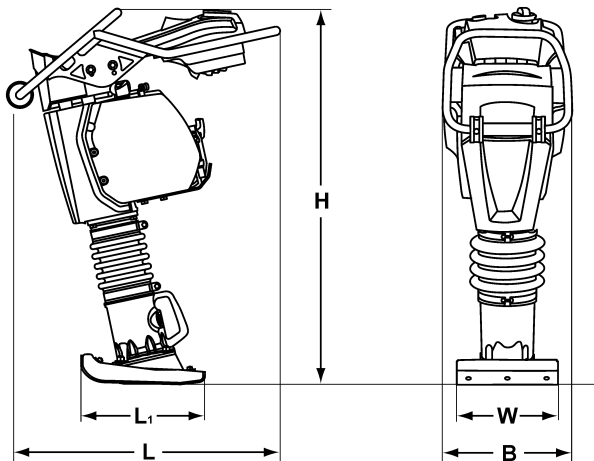
Find us locally at www.dynapac.com

We reserve the right to change specifications without notice. Photos and illustrations do not always show standard versions of machines. The above information is a general description only, all informations are supplied without liability.

Dynapac DR7

Rammers

Technical data



Dimensions	
B. Width	350 mm
H. Height	1030 mm
L. Length	728 mm
L1. Length	335 mm
W. Basic shoe width	280 mm



Standard equipment

- Infinitely variable frequency
- Self-cleaning air filter housing
- Auto oil level check before start
- Vibration insulated steering bow
- Engine protection covers
- Engine & fuel start/stop on the same switch
- Recoil starter
- Loading aid rollers on handle
- One point lift



Optional equipment

- Hour and rpm display
- Puncture proof transport wheels
- Foot widths (160-330 mm)
- Foot extensions

Find us locally at www.dynapac.com

We reserve the right to change specifications without notice. Photos and illustrations do not always show standard versions of machines. The above information is a general description only, all informations are supplied without liability.