



# DIECI



35.7 **VS**



32.9 **VS**

# AGRI TECH

PERFORMANCE				
Machine model	AGRI TECH 35.7 VS EVO2	AGRI TECH 35.7 VS EVO2 A3P	AGRI TECH 32.9 VS EVO2	AGRI TECH 32.9 VS EVO2 A3P
Maximum capacity	3500 kg (7716 lb)	3500 kg (7716 lb)	3200 kg (7055 lb)	3200 kg (7055 lb)
Maximum lifting height on wheels	7,00 m (23 ft)	7,00 m (23 ft)	9,00 m (30 ft)	9,00 m (30 ft)
Maximum horizontal extension on wheels	3,83 m (13 ft)	3,83 m (13 ft)	6,04 m (20 ft)	6,04 m (20 ft)
Fork swiveling angle	146°	146°	146°	146°
Pull-out force	5400 daN (12140 lbf)	5400 daN (12140 lbf)	5400 daN (12140 lbf)	5400 daN (12140 lbf)
Towing force	6000 daN (13489 lbf)	6000 daN (13489 lbf)	6000 daN (13489 lbf)	6000 daN (13489 lbf)
Maximum climb angle	0,6	0,6	0,6	0,6
Unladen weight	7600 kg (16755 lb)	7600 kg (16755 lb)	8000 kg (17637 lb)	8000 kg (17637 lb)
Max speed (referred to wheels with maximum permitted diameter)	40 km/h (24,9 mph)	40 km/h (24,9 mph)	40 km/h (24,9 mph)	40 km/h (24,9 mph)
BOOM				
Machine model	AGRI TECH 35.7 VS EVO2	AGRI TECH 35.7 VS EVO2 A3P	AGRI TECH 32.9 VS EVO2	AGRI TECH 32.9 VS EVO2 A3P
Lifting	7,1 s	7,1 s	7,1 s	7,1 s
Getting off the basket	4,2 s	4,2 s	4,2 s	4,2 s
Extension	4,9 s	4,9 s	6,8 s	6,8 s
Retraction	2,7 s	2,7 s	4,7 s	4,7 s
Forward swiveling	2,4 s	2,4 s	2,4 s	2,4 s
Reverse swiveling	1,3 s	1,3 s	1,3 s	1,3 s
ENGINE				
Machine model	AGRI TECH 35.7 VS EVO2	AGRI TECH 35.7 VS EVO2 A3P	AGRI TECH 32.9 VS EVO2	AGRI TECH 32.9 VS EVO2 A3P
Brand	FPT	FPT	FPT	FPT
Nominal power	96 kW (129 HP)	96 kW (129 HP)	96 kW (129 HP)	96 kW (129 HP)
@rpm	2200 rpm	2200 rpm	2200 rpm	2200 rpm
Peak power	105 kW (141 HP)	105 kW (141 HP)	105 kW (141 HP)	105 kW (141 HP)
@rpm	1900 rpm	1900 rpm	1900 rpm	1900 rpm
Operation	4-stroke	4-stroke	4-stroke	4-stroke
Injection	Electronic, Common Rail	Electronic, Common Rail	Electronic, Common Rail	Electronic, Common Rail
Number and arrangement of cylinders	4, Vertical in line	4, Vertical in line	4, Vertical in line	4, Vertical in line
Displacement	4485 cm <sup>3</sup> (274 in <sup>3</sup> )	4485 cm <sup>3</sup> (274 in <sup>3</sup> )	4485 cm <sup>3</sup> (274 in <sup>3</sup> )	4485 cm <sup>3</sup> (274 in <sup>3</sup> )
Consumption	208 g/kWh (342,16 lb/Hp h)	208 g/kWh (342,16 lb/Hp h)	208 g/kWh (342,16 lb/Hp h)	208 g/kWh (342,16 lb/Hp h)
@rpm	1900 rpm	1900 rpm	1900 rpm	1900 rpm
Emission standards	Stage IIIB/Tier 4i	Stage IIIB/Tier 4i	Stage IIIB/Tier 4i	Stage IIIB/Tier 4i
Exhaust gas treatment	SCR (AdBlue)	SCR (AdBlue)	SCR (AdBlue)	SCR (AdBlue)
Cooling system	Liquid	Liquid	Liquid	Liquid
Intake	16-valve turbo compressor, after-cooler	16-valve turbo compressor, after-cooler	16-valve turbo compressor, after-cooler	16-valve turbo compressor, after-cooler
DIFFERENTIAL AXLES				
Machine model	AGRI TECH 35.7 VS EVO2	AGRI TECH 35.7 VS EVO2 A3P	AGRI TECH 32.9 VS EVO2	AGRI TECH 32.9 VS EVO2 A3P
Axles type	2 steering, with 4 planetary reduction gears	2 steering, with 4 planetary reduction gears	2 steering, with 4 planetary reduction gears	2 steering, with 4 planetary reduction gears
Type of steering	4 wheels / transversal / 2 wheels	4 wheels / transversal / 2 wheels	4 wheels / transversal / 2 wheels	4 wheels / transversal / 2 wheels
Front axle	With transverse leveling with control in the cab and 45% self-locking differential	With transverse leveling with control in the cab and 45% self-locking differential	With transverse leveling with control in the cab and 45% self-locking differential	With transverse leveling with control in the cab and 45% self-locking differential
Rear axle	Swinging	Oscillating with automatic lock and 45% self-locking differential	Swinging	Oscillating with automatic lock and 45% self-locking differential
Service braking	Oil bath with servo brake on front and rear axle with double hydraulic system	Oil bath with servo brake on front and rear axle with double hydraulic system	Oil bath with servo brake on front and rear axle with double hydraulic system	Oil bath with servo brake on front and rear axle with double hydraulic system
Parking braking	Negative actuation with electrical control	Negative actuation with electrical control	Negative actuation with electrical control	Negative actuation with electrical control
HYDRAULIC SYSTEM				
Machine model	AGRI TECH 35.7 VS EVO2	AGRI TECH 35.7 VS EVO2 A3P	AGRI TECH 32.9 VS EVO2	AGRI TECH 32.9 VS EVO2 A3P
Hydraulic pump type	Gear pump for power steering and movements	Gear pump for power steering and movements	Gear pump for power steering and movements	Gear pump for power steering and movements
Hydraulic pump capacity	170 L/min (44,9 gal/min)	170 L/min (44,9 gal/min)	170 L/min (44,9 gal/min)	170 L/min (44,9 gal/min)
Max. operating pressure	25,0 MPa (3626 psi)	25,0 MPa (3626 psi)	25,0 MPa (3626 psi)	25,0 MPa (3626 psi)
Distributor control	4in1 proportional Joystick	4in1 proportional Joystick	4in1 proportional Joystick	4in1 proportional Joystick
REFUELING				
Machine model	AGRI TECH 35.7 VS EVO2	AGRI TECH 35.7 VS EVO2 A3P	AGRI TECH 32.9 VS EVO2	AGRI TECH 32.9 VS EVO2 A3P
Hydraulic system (total)	120,0 L (31,7 gal)	120,0 L (31,7 gal)	120,0 L (31,7 gal)	120,0 L (31,7 gal)
Diesel tank	125,0 L (33,02 gal)	125,0 L (33,02 gal)	125,0 L (33,02 gal)	125,0 L (33,02 gal)
AdBlue tank	27,0 L (7,13 gal)	27,0 L (7,13 gal)	27,0 L (7,13 gal)	27,0 L (7,13 gal)

## TRANSMISSION

Machine model	AGRI TECH 35.7 VS EVO2	AGRI TECH 35.7 VS EVO2 A3P	AGRI TECH 32.9 VS EVO2	AGRI TECH 32.9 VS EVO2 A3P
Transmission type	Hydrostatic single speed Vario System EVO2 with electronic control	Hydrostatic single speed Vario System EVO2 with electronic control	Hydrostatic single speed Vario System EVO2 with electronic control	Hydrostatic single speed Vario System EVO2 with electronic control
Reversal	Electro-Hydraulic	Electro-Hydraulic	Electro-Hydraulic	Electro-Hydraulic
Inching	With electronic pedal for controlled forward movement	With electronic pedal for controlled forward movement	With electronic pedal for controlled forward movement	With electronic pedal for controlled forward movement
Drive mode	Automotive, Eco, Loader, Creeper	Automotive, Eco, Loader, Creeper	Automotive, Eco, Loader, Creeper	Automotive, Eco, Loader, Creeper

## TOWING CAPACITY (upon request)

Machine model	AGRI TECH 35.7 VS EVO2	AGRI TECH 35.7 VS EVO2 A3P	AGRI TECH 32.9 VS EVO2	AGRI TECH 32.9 VS EVO2 A3P
Unbraked trailer	6000 kg (13228 lb)	6000 kg (13228 lb)	6000 kg (13228 lb)	6000 kg (13228 lb)
Inertia braking	9000 kg (19842 lb)	9000 kg (19842 lb)	9000 kg (19842 lb)	9000 kg (19842 lb)
Mechanical braking	6000 kg (13228 lb)	6000 kg (13228 lb)	6000 kg (13228 lb)	6000 kg (13228 lb)
Hydraulic/pneumatic braking	20000 kg (44092 lb)	20000 kg (44092 lb)	20000 kg (44092 lb)	20000 kg (44092 lb)

## REAR LIFT

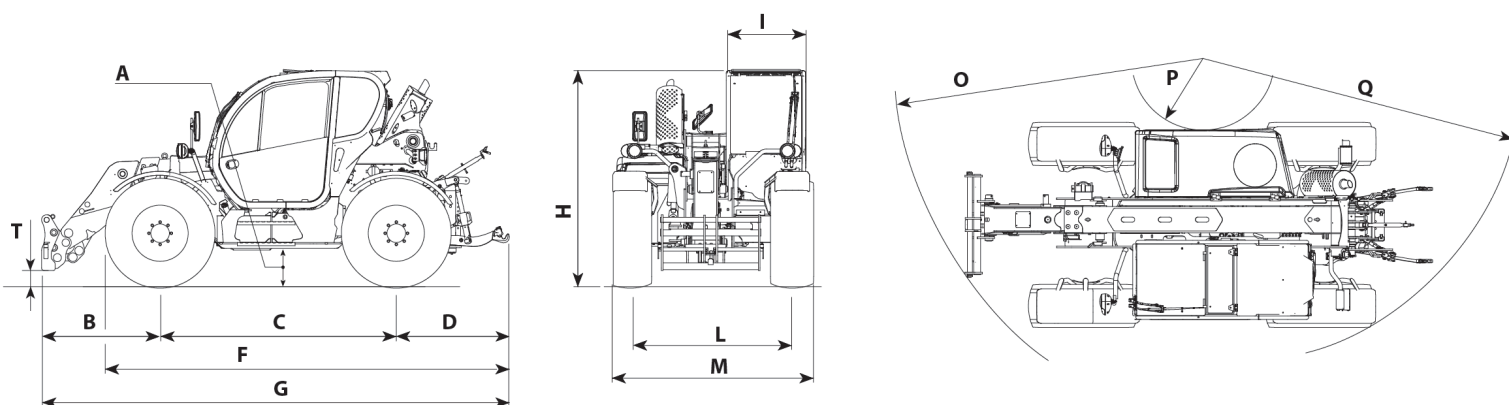
Machine model	AGRI TECH 35.7 VS EVO2	AGRI TECH 35.7 VS EVO2 A3P	AGRI TECH 32.9 VS EVO2	AGRI TECH 32.9 VS EVO2 A3P
Lifting device description	-	Electronic control with position, draft, floating and anti-dumping control function. Electronic control of dual operating modes: truck / tractor with loaded axle locking.	-	Electronic control with position, draft, floating and anti-dumping control function. Electronic control of dual operating modes: truck / tractor with loaded axle locking.
Lifting device capacity	-	4000 kg (8818 lb)	-	4000 kg (8818 lb)
Lifting device category	-	Category 2	-	Category 2

## TIRES

Machine model	AGRI TECH 35.7 VS EVO2	AGRI TECH 35.7 VS EVO2 A3P	AGRI TECH 32.9 VS EVO2	AGRI TECH 32.9 VS EVO2 A3P
Standard tires	400/70x24"	400/70x24"	400/70x24"	400/70x24"
Optional tires	18x22.5"; 18R22.5"; 460/70R24"; 500/70x24"	18x22.5"; 18R22.5"; 460/70R24"; 500/70x24"	18x22.5"; 18R22.5"; 460/70R24"; 500/70x24"	18x22.5"; 18R22.5"; 460/70R24"; 500/70x24"

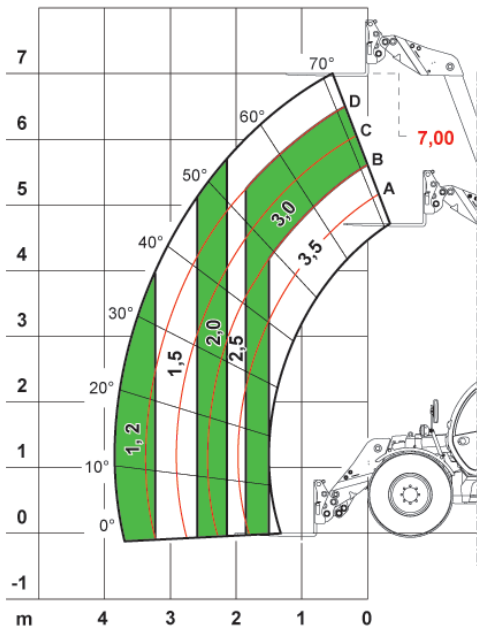
## DIMENSIONS

Machine model	AGRI TECH 35.7 VS EVO2	AGRI TECH 35.7 VS EVO2 A3P	AGRI TECH 32.9 VS EVO2	AGRI TECH 32.9 VS EVO2 A3P
A	390 mm (15,4 in)	390 mm (15,4 in)	390 mm (15,4 in)	390 mm (15,4 in)
B	1490 mm (58,7 in)	1490 mm (58,7 in)	1490 mm (58,7 in)	1490 mm (58,7 in)
C	2800 mm (110,2 in)	2800 mm (110,2 in)	2800 mm (110,2 in)	2800 mm (110,2 in)
D	1260 mm (49,6 in)	1260 mm (49,6 in)	1260 mm (49,6 in)	1260 mm (49,6 in)
F	4730 mm (186,2 in)	4730 mm (186,2 in)	4730 mm (186,2 in)	4730 mm (186,2 in)
G	5550 mm (218,5 in)	5550 mm (218,5 in)	5550 mm (218,5 in)	5550 mm (218,5 in)
H	2500 mm (98,4 in)	2500 mm (98,4 in)	2500 mm (98,4 in)	2500 mm (98,4 in)
I	940 mm (37 in)	940 mm (37 in)	940 mm (37 in)	940 mm (37 in)
L	1820 mm (71,7 in)	1820 mm (71,7 in)	1820 mm (71,7 in)	1820 mm (71,7 in)
M	2400 mm (94,5 in)	2400 mm (94,5 in)	2400 mm (94,5 in)	2400 mm (94,5 in)
O	3940 mm (155,1 in)	3940 mm (155,1 in)	3940 mm (155,1 in)	3940 mm (155,1 in)
P	1340 mm (52,8 in)	1340 mm (52,8 in)	1340 mm (52,8 in)	1340 mm (52,8 in)
Q	3780 mm (148,8 in)	3780 mm (148,8 in)	3780 mm (148,8 in)	3780 mm (148,8 in)
T	180 mm (7,1 in)	180 mm (7,1 in)	180 mm (7,1 in)	180 mm (7,1 in)



MAX 3,5 t

500 mm



AXBI483

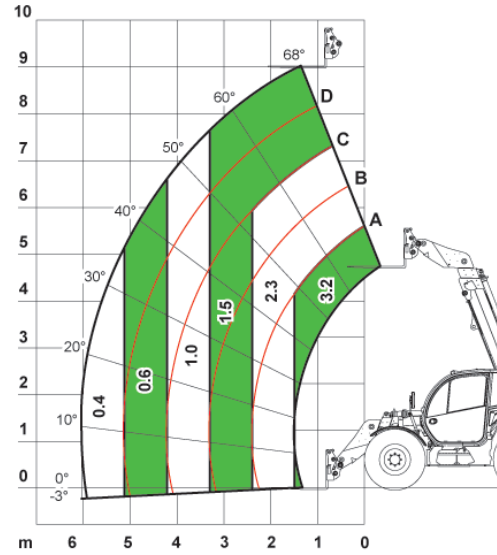


35.7

EN1459

MAX 3,2 t

500 mm



AXBI490



32.9

EN1459

Dieci Srl - Via E. Majorana, 2-4 - 42027 - Montecchio Emilia (RE) ITALY

Tel. +39 0522 869611 - Fax +39 0522 869798 - E-mail: info@dieci.com - www.dieci.com

SKT Agri Tech EC -UK | v. 1.4