



DIECI



AGRI PLUS



40.7 **PS**



38.9 **PS**



40.7 **VS**



38.9 **VS**

PERFORMANCE				
Machine model	AGRI PLUS 40.7 PS EVO2	AGRI PLUS 40.7 VS EVO2	AGRI PLUS 38.9 PS EVO2	AGRI PLUS 38.9 VS EVO2
Maximum capacity	4000 kg (8818 lb)	4000 kg (8818 lb)	3800 kg (8378 lb)	3800 kg (8378 lb)
Maximum lifting height on wheels	7,00 m (23 ft)	7,00 m (23 ft)	9,00 m (30 ft)	9,00 m (30 ft)
Maximum horizontal extension on wheels	3,90 m (13 ft)	3,90 m (13 ft)	5,85 m (19 ft)	5,85 m (19 ft)
Fork swiveling angle	146°	146°	146°	146°
Pull-out force	6000 daN (13489 lbf)	6000 daN (13489 lbf)	6000 daN (13489 lbf)	6000 daN (13489 lbf)
Towing force	8200 daN (18434 lbf)	8200 daN (18434 lbf)	8200 daN (18434 lbf)	8200 daN (18434 lbf)
Maximum climb angle	60%	60%	60%	60%
Unladen weight	7700 kg (16976 lb)	7700 kg (16976 lb)	7900 kg (17417 lb)	7900 kg (17417 lb)
Max speed (referred to wheels with maximum permitted diameter)	40 km/h (24,9 mph)	40 km/h (24,9 mph)	40 km/h (24,9 mph)	40 km/h (24,9 mph)
BOOM				
Machine model	AGRI PLUS 40.7 PS EVO2	AGRI PLUS 40.7 VS EVO2	AGRI PLUS 38.9 PS EVO2	AGRI PLUS 38.9 VS EVO2
Lifting	7,5 s	6,6 s	7,5 s	6,6 s
Getting off the basket	4,4 s	3,9 s	4,4 s	3,9 s
Extension	6,2 s	5,5 s	6,2 s	5,5 s
Retraction	3,8 s	3,3 s	3,8 s	3,3 s
Forward swiveling	2,4 s	2,1 s	2,4 s	2,1 s
Reverse swiveling	1,5 s	1,3 s	1,5 s	1,3 s
ENGINE				
Machine model	AGRI PLUS 40.7 PS EVO2	AGRI PLUS 40.7 VS EVO2	AGRI PLUS 38.9 PS EVO2	AGRI PLUS 38.9 VS EVO2
Brand	FPT	FPT	FPT	FPT
Nominal power	81 kW (109 HP)	103 kW (138 HP)	81 kW (109 HP)	103 kW (138 HP)
@rpm	2200 rpm	2200 rpm	2200 rpm	2200 rpm
Peak power	89 kW (119 HP)	113 kW (152 HP)	89 kW (119 HP)	113 kW (152 HP)
@rpm	1900 rpm	1900 rpm	1900 rpm	1900 rpm
Operation	4-stroke	4-stroke	4-stroke	4-stroke
Injection	Electronic, Common Rail	Electronic, Common Rail	Electronic, Common Rail	Electronic, Common Rail
Number and arrangement of cylinders	4, Vertical in line	4, Vertical in line	4, Vertical in line	4, Vertical in line
Displacement	4485 cm ³ (274 in ³)	4485 cm ³ (274 in ³)	4485 cm ³ (274 in ³)	4485 cm ³ (274 in ³)
Consumption	210 g/kWh (345,45 lb/Hp h)	208 g/kWh (342,16 lb/Hp h)	210 g/kWh (345,45 lb/Hp h)	208 g/kWh (342,16 lb/Hp h)
@rpm	1900 rpm	1900 rpm	1900 rpm	1900 rpm
Emission standards	Stage IIIB/Tier 4i	Stage IIIB/Tier 4i	Stage IIIB/Tier 4i	Stage IIIB/Tier 4i
Exhaust gas treatment	SCR (AdBlue)	SCR (AdBlue)	SCR (AdBlue)	SCR (AdBlue)
Cooling system	Liquid	Liquid	Liquid	Liquid
Intake	Turbo compressor 16 valve	16-valve turbo compressor, after-cooler	Turbo compressor 16 valve	16-valve turbo compressor, after-cooler
DIFFERENTIAL AXLES				
Machine model	AGRI PLUS 40.7 PS EVO2	AGRI PLUS 40.7 VS EVO2	AGRI PLUS 38.9 PS EVO2	AGRI PLUS 38.9 VS EVO2
Axles type	2 steering, with 4 planetary reduction gears	2 steering, with 4 planetary reduction gears	2 steering, with 4 planetary reduction gears	2 steering, with 4 planetary reduction gears
Type of steering	4 wheels / transversal / 2 wheels	4 wheels / transversal / 2 wheels	4 wheels / transversal / 2 wheels	4 wheels / transversal / 2 wheels
Front axle	Rigid	Rigid	Rigid	Rigid
Rear axle	Swinging	Swinging	Swinging	Swinging
Service braking	Oil bath with servo brake on front and rear axle with double hydraulic system	Oil bath with servo brake on front and rear axle with double hydraulic system	Oil bath with servo brake on front and rear axle with double hydraulic system	Oil bath with servo brake on front and rear axle with double hydraulic system
Parking braking	Negative actuation with electrical control	Negative actuation with electrical control	Negative actuation with electrical control	Negative actuation with electrical control
HYDRAULIC SYSTEM				
Machine model	AGRI PLUS 40.7 PS EVO2	AGRI PLUS 40.7 VS EVO2	AGRI PLUS 38.9 PS EVO2	AGRI PLUS 38.9 VS EVO2
Hydraulic pump type	Gear pump for power steering and movements	Gear pump for power steering and movements	Gear pump for power steering and movements	Gear pump for power steering and movements
Hydraulic pump capacity	180 L/min (47,6 gal/min)	210 L/min (55,5 gal/min)	180 L/min (47,6 gal/min)	210 L/min (55,5 gal/min)
Max. operating pressure	25,0 MPa (3626 psi)	25,0 MPa (3626 psi)	25,0 MPa (3626 psi)	25,0 MPa (3626 psi)
Distributor control	4in1 proportional Joystick	4in1 proportional Joystick	4in1 proportional Joystick	4in1 proportional Joystick
REFUELING				
Machine model	AGRI PLUS 40.7 PS EVO2	AGRI PLUS 40.7 VS EVO2	AGRI PLUS 38.9 PS EVO2	AGRI PLUS 38.9 VS EVO2
Hydraulic system (total)	160,0 L (42,27 gal)	160,0 L (42,27 gal)	160,0 L (42,27 gal)	160,0 L (42,27 gal)
Diesel tank	180,0 L (47,55 gal)	180,0 L (47,55 gal)	180,0 L (47,55 gal)	180,0 L (47,55 gal)
AdBlue tank	35,0 L (9,25 gal)	35,0 L (9,25 gal)	35,0 L (9,25 gal)	35,0 L (9,25 gal)

TRANSMISSION

Machine model	AGRI PLUS 40.7 PS EVO2	AGRI PLUS 40.7 VS EVO2	AGRI PLUS 38.9 PS EVO2	AGRI PLUS 38.9 VS EVO2
Transmission type	Torque converter with Power Shift EVO2 reversing mechanism and electric control	Hydrostatic single speed Vario System EVO2 with electronic control	Torque converter with Power Shift EVO2 reversing mechanism and electric control	Hydrostatic single speed Vario System EVO2 with electronic control
Reversal	-	Electro-Hydraulic	-	Electro-Hydraulic
Inching	With electronic pedal for controlled forward movement	With electronic pedal for controlled forward movement	With electronic pedal for controlled forward movement	With electronic pedal for controlled forward movement
Transmission gearbox	6 forward gears / 3 reverse gears with electronic control	-	6 forward gears / 3 reverse gears with electronic control	-
Drive mode	-	Automotive, Eco, Loader, Creeper	-	Automotive, Eco, Loader, Creeper

TOWING CAPACITY (upon request)

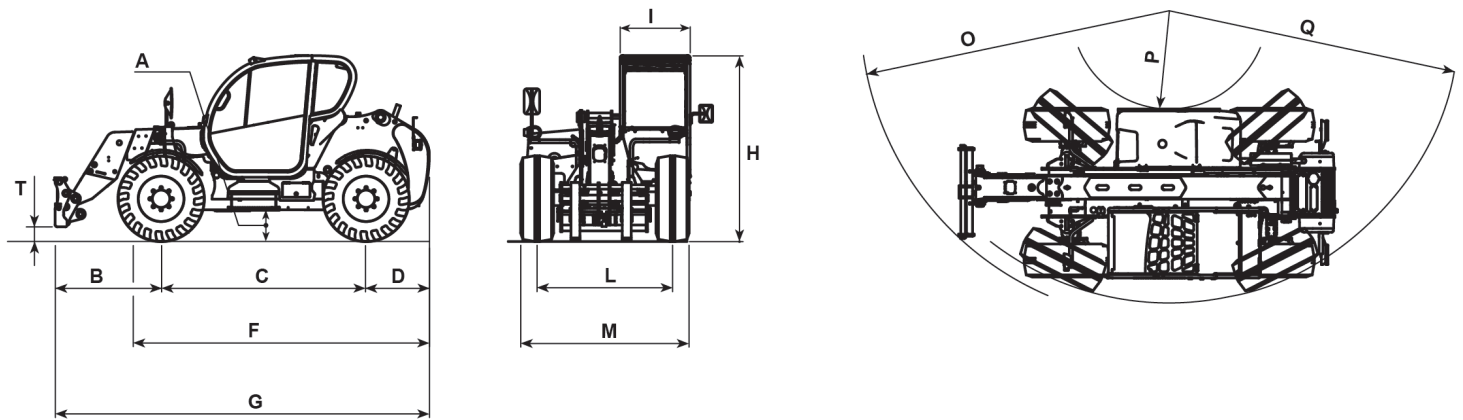
Machine model	AGRI PLUS 40.7 PS EVO2	AGRI PLUS 40.7 VS EVO2	AGRI PLUS 38.9 PS EVO2	AGRI PLUS 38.9 VS EVO2
Unbraked trailer	6000 kg (13228 lb)	6000 kg (13228 lb)	6000 kg (13228 lb)	6000 kg (13228 lb)
Inertia braking	9000 kg (19842 lb)	9000 kg (19842 lb)	9000 kg (19842 lb)	9000 kg (19842 lb)
Mechanical braking	6000 kg (13228 lb)	6000 kg (13228 lb)	6000 kg (13228 lb)	6000 kg (13228 lb)
Hydraulic/pneumatic braking	20000 kg (44092 lb)	20000 kg (44092 lb)	20000 kg (44092 lb)	20000 kg (44092 lb)

TIRES

Machine model	AGRI PLUS 40.7 PS EVO2	AGRI PLUS 40.7 VS EVO2	AGRI PLUS 38.9 PS EVO2	AGRI PLUS 38.9 VS EVO2
Standard tires	400/70x24"	400/70x24"	400/70x24"	400/70x24"
Optional tires	18x22.5"; 460/70R24"	18x22.5"; 460/70R24"	18x22.5"; 460/70R24"	18x22.5"; 460/70R24"

DIMENSIONS

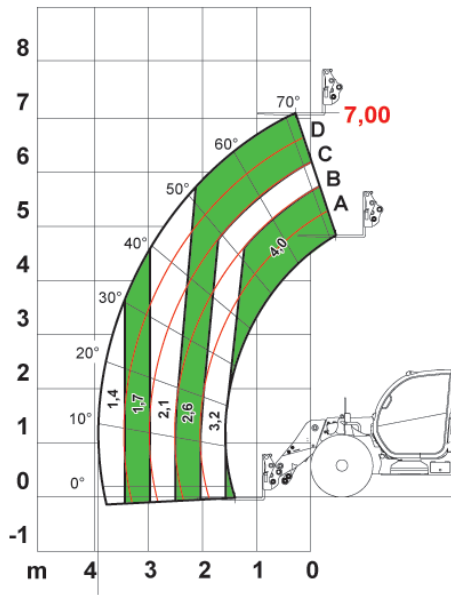
Machine model	AGRI PLUS 40.7 PS EVO2	AGRI PLUS 40.7 VS EVO2	AGRI PLUS 38.9 PS EVO2	AGRI PLUS 38.9 VS EVO2
A	360 mm (14,2 in)	360 mm (14,2 in)	360 mm (14,2 in)	360 mm (14,2 in)
B	1475 mm (58,1 in)	1475 mm (58,1 in)	1475 mm (58,1 in)	1475 mm (58,1 in)
C	2750 mm (108,3 in)	2750 mm (108,3 in)	2750 mm (108,3 in)	2750 mm (108,3 in)
D	850 mm (33,5 in)	850 mm (33,5 in)	850 mm (33,5 in)	850 mm (33,5 in)
F	4175 mm (164,4 in)	4175 mm (164,4 in)	4175 mm (164,4 in)	4175 mm (164,4 in)
G	5075 mm (199,8 in)	5075 mm (199,8 in)	5075 mm (199,8 in)	5075 mm (199,8 in)
H	2445 mm (96,3 in)	2445 mm (96,3 in)	2445 mm (96,3 in)	2445 mm (96,3 in)
I	940 mm (37 in)	940 mm (37 in)	940 mm (37 in)	940 mm (37 in)
L	1820 mm (71,7 in)	1820 mm (71,7 in)	1820 mm (71,7 in)	1820 mm (71,7 in)
M	2260 mm (89 in)	2260 mm (89 in)	2260 mm (89 in)	2260 mm (89 in)
O	5185 mm (204,1 in)	5185 mm (204,1 in)	5230 mm (205,9 in)	5230 mm (205,9 in)
P	1320 mm (52 in)	1320 mm (52 in)	1320 mm (52 in)	1320 mm (52 in)
Q	3920 mm (154,3 in)	3920 mm (154,3 in)	3920 mm (154,3 in)	3920 mm (154,3 in)
T	200 mm (7,9 in)	200 mm (7,9 in)	200 mm (7,9 in)	200 mm (7,9 in)



MAX 4,0 t



AXBI477



3,90



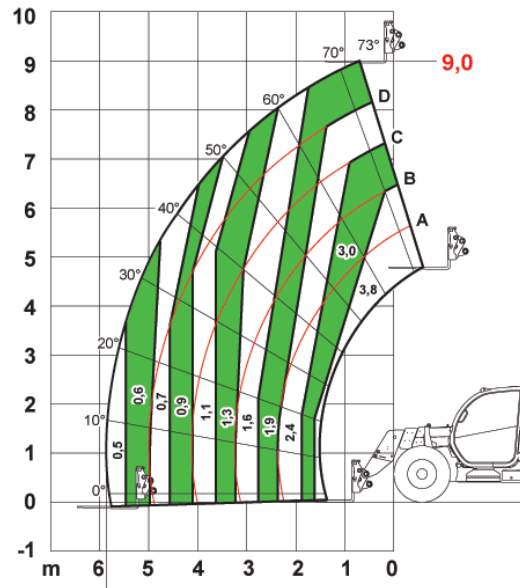
EN1459

40.7

MAX 3,8 t



AXBI481



5,85



EN1459

38.9