



DIECI



40.14

40.17

ICARUS

PERFORMANCE

Machine model	ICARUS 40.14	ICARUS 40.17
Maximum capacity	4000 kg (8818 lb)	4000 kg (8818 lb)
Maximum lifting height on wheels	13,20 m (43 ft)	16,70 m (55 ft)
Maximum horizontal extension on wheels	9,50 m (31 ft)	11,60 m (38 ft)
Fork swiveling angle	134°	134°
Pull-out force	5700 daN (12814 lbf)	5700 daN (12814 lbf)
Towing force	7300 daN (16411 lbf)	7300 daN (16411 lbf)
Maximum climb angle	40%	40%
Unladen weight	10900 kg (24030 lb)	12260 kg (27029 lb)
Max speed (referred to wheels with maximum permitted diameter)	35 km/h (21,7 mph)	35 km/h (21,7 mph)

BOOM

Machine model	ICARUS 40.14	ICARUS 40.17
Lifting	12,3 s	14,1 s
Getting off the basket	8,4 s	10,2 s
Extension	21,4 s	21,4 s
Retraction	15,6 s	14,1 s
Forward swiveling	3,3 s	3,3 s
Reverse swiveling	2,1 s	2,1 s

ENGINE

Machine model	ICARUS 40.14	ICARUS 40.17
Brand	Kubota	Kubota
Nominal power	83,5 kW (112 HP)	83,5 kW (112 HP)
@rpm	2600 rpm	2600 rpm
Operation	4-stroke	4-stroke
Injection	Electronic, Common Rail	Electronic, Common Rail
Number and arrangement of cylinders	4, Vertical in line	4, Vertical in line
Displacement	3769 cm ³ (230 in ³)	3769 cm ³ (230 in ³)
Consumption	231 g/kWh (380 lb/Hp h)	231 g/kWh (380 lb/Hp h)
@rpm	2600 rpm	2600 rpm
Emission standards	Stage IIIB/Tier 4i	Stage IIIB/Tier 4i
Exhaust gas treatment	Particulate filter (DPF)	Particulate filter (DPF)
Cooling system	Liquid	Liquid
Intake	Turbo compressor after-cooler	Turbo compressor after-cooler

DIFFERENTIAL AXLES

Machine model	ICARUS 40.14	ICARUS 40.17
Axles type	2 steering, with 4 planetary reduction gears	2 steering, with 4 planetary reduction gears
Type of steering	4 wheels / transversal / 2 wheels	4 wheels / transversal / 2 wheels
Front axle	Rigid (Levelling upon request)	Rigid (Levelling upon request)
Rear axle	Swinging	Swinging
Service braking	Oil bath with servo brake on front and rear axle with double hydraulic system	Oil bath with servo brake on front and rear axle with double hydraulic system
Parking braking	Negative actuation with electrical control	Negative actuation with electrical control

HYDRAULIC SYSTEM

Machine model	ICARUS 40.14	ICARUS 40.17
Hydraulic pump type	Gear pump for power steering and movements	Gear pump for power steering and movements
Hydraulic pump capacity	170 L/min (44,9 gal/min)	170 L/min (44,9 gal/min)
Max. operating pressure	25,0 MPa (3626 psi)	25,0 MPa (3626 psi)
Distributor control	4in1 proportional Joystick	4in1 proportional Joystick

REFUELING

Machine model	ICARUS 40.14	ICARUS 40.17
Hydraulic system (total)	174,0 L (45,97 gal)	174,0 L (45,97 gal)
Diesel tank	105,0 L (27,74 gal)	105,0 L (27,74 gal)

TRANSMISSION

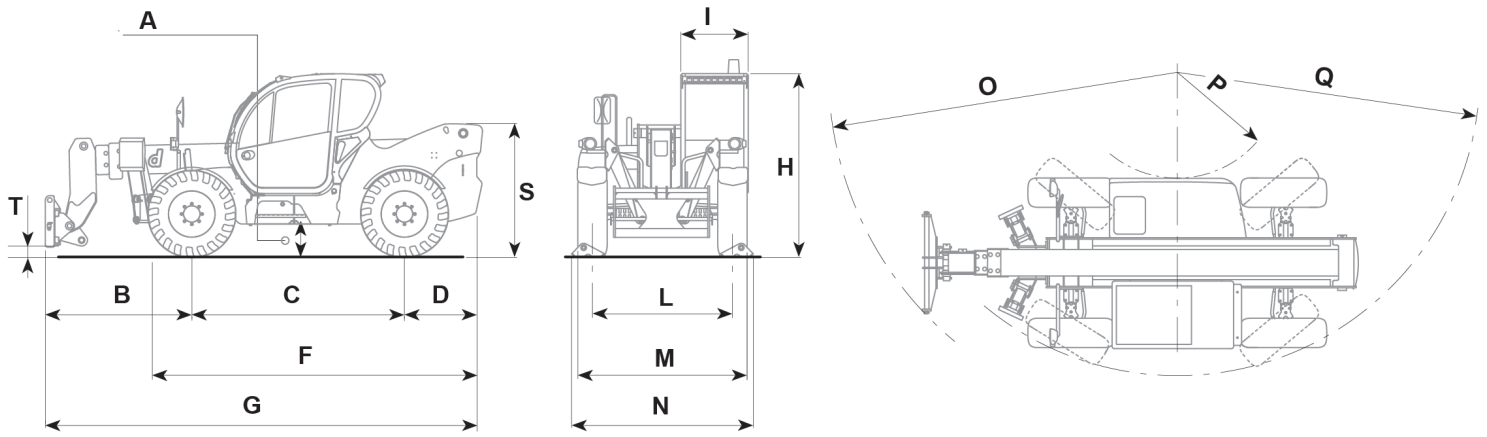
Machine model	ICARUS 40.14	ICARUS 40.17
Transmission type	Hydrostatic with variable flow pump	Hydrostatic with variable flow pump
Hydraulic motor	Hydrostatic with continuous automatic adjustment	Hydrostatic with continuous automatic adjustment
Reversal	Electro-Hydraulic	Electro-Hydraulic
Inching	With hydraulic pedal for controlled forward movement	With hydraulic pedal for controlled forward movement
Transmission gearbox	Servocontrolled 2-speed	Servocontrolled 2-speed

TIRES

Machine model	ICARUS 40.14	ICARUS 40.17
Standard tires	400/70x20"	400/70x24"
Optional tires	400/70x24"; 18x22.5"	18x22.5"

DIMENSIONS

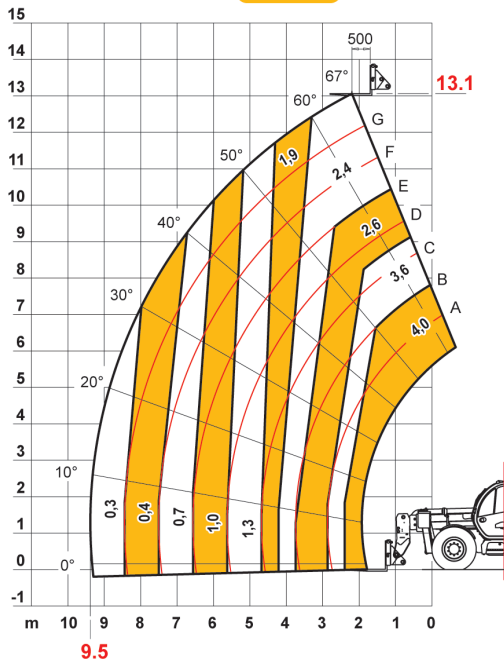
Machine model	ICARUS 40.14	ICARUS 40.17
A	390 mm (15,4 in)	390 mm (15,4 in)
B	1900 mm (74,8 in)	1970 mm (77,6 in)
C	2950 mm (116,1 in)	2950 mm (116,1 in)
D	1355 mm (53,3 in)	1355 mm (53,3 in)
F	4850 mm (190,9 in)	4900 mm (192,9 in)
G	6200 mm (244,1 in)	6275 mm (247 in)
H	2500 mm (98,4 in)	2550 mm (100,4 in)
I	940 mm (37 in)	940 mm (37 in)
L	1950 mm (76,8 in)	1950 mm (76,8 in)
M	2360 mm (92,9 in)	2360 mm (92,9 in)
N	3270 mm (128,7 in)	3270 mm (128,7 in)
O	4900 mm (192,9 in)	4900 mm (192,9 in)
P	1700 mm (66,9 in)	1700 mm (66,9 in)
Q	4400 mm (173,2 in)	4400 mm (173,2 in)
S	1810 mm (71,3 in)	1837 mm (72,3 in)
T	106 mm (4,2 in)	163 mm (6,4 in)



MAX 4,0 t



DOCDI0000071

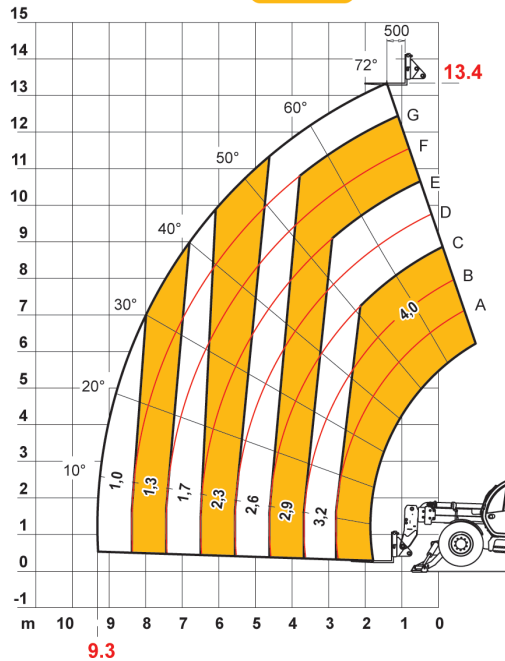


40.14

MAX 4,0 t



DOCDI0000072

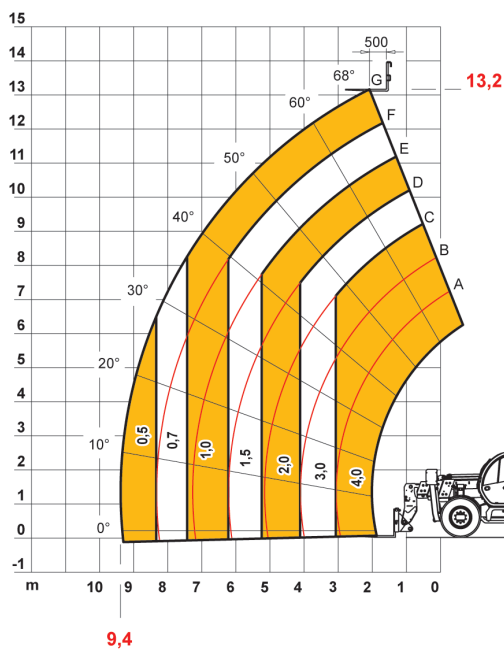


40.14

MAX 4,0 t



DOCDI0000032

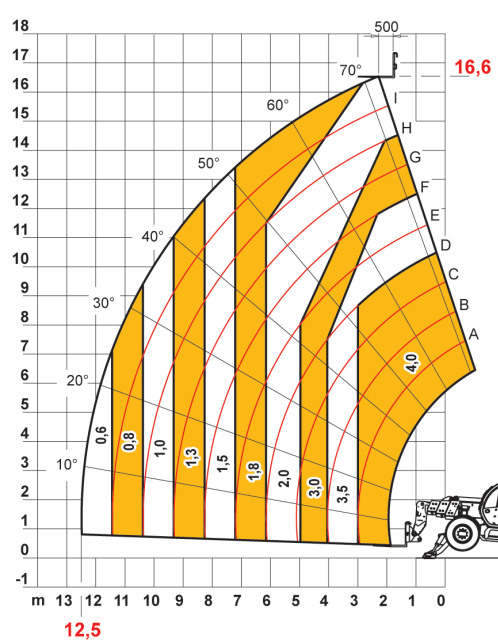


40.17

MAX 4,0 t



DOCDI0000047



40.17