



# DIECI



ZEUS EVO2



40.7



38.8

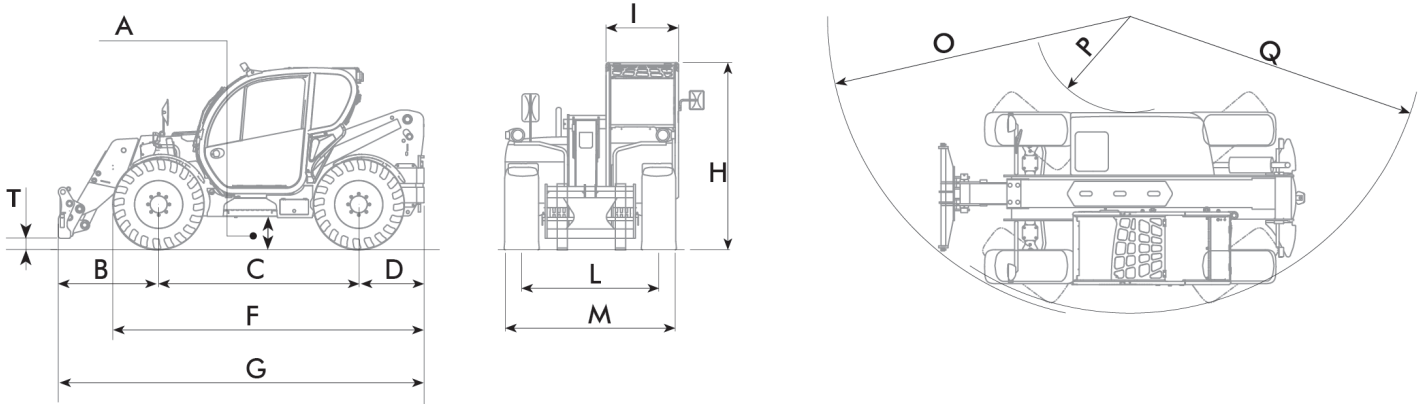


38.10

PERFORMANCE			
Machine model	ZEUS 40.7 EVO2	ZEUS 38.8 EVO2	ZEUS 38.10 EVO2
Maximum capacity	4000 kg (8818 lb)	3800 kg (8378 lb)	3800 kg (8378 lb)
Maximum lifting height on wheels	7,20 m (24 ft)	7,60 m (25 ft)	9,60 m (31 ft)
Maximum horizontal extension on wheels	3,90 m (13 ft)	4,30 m (14 ft)	6,10 m (20 ft)
Fork swiveling angle	146°	146°	146°
Pull-out force	5700 daN (12814 lbf)	5700 daN (12814 lbf)	5700 daN (12814 lbf)
Towing force	6000 daN (13489 lbf)	6000 daN (13489 lbf)	6000 daN (13489 lbf)
Maximum climb angle	40%	40%	40%
Unladen weight	7800 kg (17196 lb)	7900 kg (17417 lb)	8150 kg (17968 lb)
Max speed (referred to wheels with maximum permitted diameter)	40 km/h (24,9 mph)	40 km/h (24,9 mph)	40 km/h (24,9 mph)
BOOM			
Machine model	ZEUS 40.7 EVO2	ZEUS 38.8 EVO2	ZEUS 38.10 EVO2
Lifting	7,3 s	7,2 s	8,7 s
Getting off the basket	3,8 s	3,7 s	5,0 s
Extension	5,2 s	5,5 s	7,6 s
Retraction	2,9 s	3,1 s	4,6 s
Forward swiveling	2,7 s	2,7 s	2,7 s
Reverse swiveling	1,7 s	1,6 s	1,6 s
ENGINE			
Machine model	ZEUS 40.7 EVO2	ZEUS 38.8 EVO2	ZEUS 38.10 EVO2
Brand	Kubota	Kubota	Kubota
Nominal power	83,5 kW (112 HP)	83,5 kW (112 HP)	83,5 kW (112 HP)
@rpm	2600 rpm	2600 rpm	2600 rpm
Operation	4-stroke	4-stroke	4-stroke
Injection	Electronic, Common Rail	Electronic, Common Rail	Electronic, Common Rail
Number and arrangement of cylinders	4, Vertical in line	4, Vertical in line	4, Vertical in line
Displacement	3769 cm <sup>3</sup> (230 in <sup>3</sup> )	3769 cm <sup>3</sup> (230 in <sup>3</sup> )	3769 cm <sup>3</sup> (230 in <sup>3</sup> )
Consumption	231 g/kWh (380 lb/Hp h)	231 g/kWh (380 lb/Hp h)	231 g/kWh (380 lb/Hp h)
@rpm	2600 rpm	2600 rpm	2600 rpm
Emission standards	Stage IIIB/Tier 4i	Stage IIIB/Tier 4i	Stage IIIB/Tier 4i
Exhaust gas treatment	Particulate filter (DPF)	Particulate filter (DPF)	Particulate filter (DPF)
Cooling system	Liquid	Liquid	Liquid
Intake	Turbo compressor after-cooler	Turbo compressor after-cooler	Turbo compressor after-cooler
DIFFERENTIAL AXLES			
Machine model	ZEUS 40.7 EVO2	ZEUS 38.8 EVO2	ZEUS 38.10 EVO2
Axles type	2 steering, with 4 planetary reduction gears	2 steering, with 4 planetary reduction gears	2 steering, with 4 planetary reduction gears
Type of steering	4 wheels / transversal / 2 wheels	4 wheels / transversal / 2 wheels	4 wheels / transversal / 2 wheels
Front axle	Rigid	Rigid	Rigid
Rear axle	Swinging	Swinging	Swinging
Service braking	Oil bath with servo brake on front axle	Oil bath with servo brake on front axle	Oil bath with servo brake on front axle
Parking braking	Negative actuation with electrical control	Negative actuation with electrical control	Negative actuation with electrical control
HYDRAULIC SYSTEM			
Machine model	ZEUS 40.7 EVO2	ZEUS 38.8 EVO2	ZEUS 38.10 EVO2
Hydraulic pump type	Gear pump for power steering and movements	Gear pump for power steering and movements	Gear pump for power steering and movements
Hydraulic pump capacity	170 L/min (44,9 gal/min)	170 L/min (44,9 gal/min)	170 L/min (44,9 gal/min)
Max. operating pressure	25,5 MPa (3698 psi)	25,5 MPa (3698 psi)	25,5 MPa (3698 psi)
Distributor control	4in1 proportional Joystick	4in1 proportional Joystick	4in1 proportional Joystick
REFUELING			
Machine model	ZEUS 40.7 EVO2	ZEUS 38.8 EVO2	ZEUS 38.10 EVO2
Hydraulic system (total)	140,0 L (36,98 gal)	140,0 L (36,98 gal)	140,0 L (36,98 gal)
Diesel tank	160,0 L (42,27 gal)	160,0 L (42,27 gal)	160,0 L (42,27 gal)
TRANSMISSION			
Machine model	ZEUS 40.7 EVO2	ZEUS 38.8 EVO2	ZEUS 38.10 EVO2
Transmission type	Single speed Hydrostatic transmission with variable displacement pump	Single speed Hydrostatic transmission with variable displacement pump	Single speed Hydrostatic transmission with variable displacement pump
Hydraulic motor	Hydrostatic with continuous automatic adjustment	Hydrostatic with continuous automatic adjustment	Hydrostatic with continuous automatic adjustment
Reversal	Electro-Hydraulic	Electro-Hydraulic	Electro-Hydraulic
Inching	With hydraulic pedal for controlled forward movement	With hydraulic pedal for controlled forward movement	With hydraulic pedal for controlled forward movement
TIRES			
Machine model	ZEUS 40.7 EVO2	ZEUS 38.8 EVO2	ZEUS 38.10 EVO2
Standard tires	400/70x20"	400/70x20"	400/70x20"
Optional tires	400/70x24"; 18x22.5"	400/70x24"; 18x22.5"	400/70x24"; 18x22.5"

## DIMENSIONS

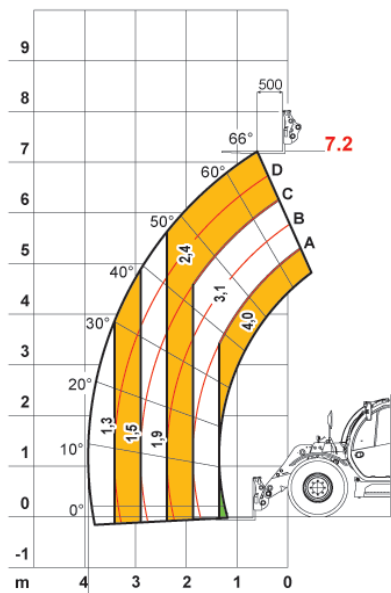
Machine model	ZEUS 40.7 EVO2	ZEUS 38.8 EVO2	ZEUS 38.10 EVO2
A	390 mm (15,4 in)	390 mm (15,4 in)	390 mm (15,4 in)
B	1260 mm (49,6 in)	1500 mm (59,1 in)	1260 mm (49,6 in)
C	2750 mm (108,3 in)	2750 mm (108,3 in)	2750 mm (108,3 in)
D	970 mm (38,2 in)	970 mm (38,2 in)	970 mm (38,2 in)
F	4110 mm (161,8 in)	4110 mm (161,8 in)	4110 mm (161,8 in)
G	4950 mm (194,9 in)	4950 mm (194,9 in)	4950 mm (194,9 in)
H	2360 mm (92,9 in)	2360 mm (92,9 in)	2360 mm (92,9 in)
I	940 mm (37 in)	940 mm (37 in)	940 mm (37 in)
L	1780 mm (70,1 in)	1780 mm (70,1 in)	1780 mm (70,1 in)
M	2290 mm (90,2 in)	2290 mm (90,2 in)	2290 mm (90,2 in)
O	3700 mm (145,7 in)	3700 mm (145,7 in)	3700 mm (145,7 in)
P	950 mm (37,4 in)	950 mm (37,4 in)	950 mm (37,4 in)
Q	3450 mm (135,8 in)	3450 mm (135,8 in)	3450 mm (135,8 in)
T	128 mm (5 in)	211 mm (8,3 in)	174 mm (6,9 in)



MAX 4,0 t



DOCDI0000494



3,9



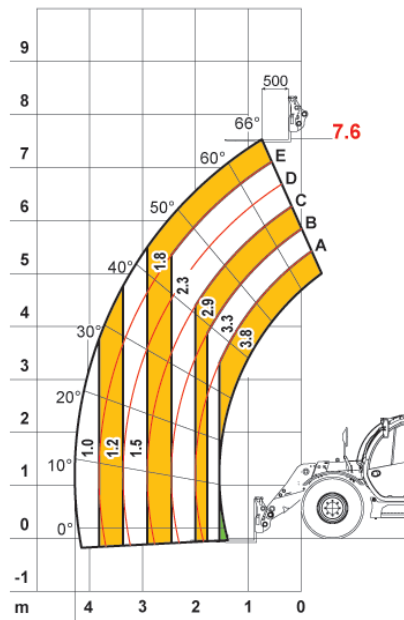
EN1459

40.7 EVO2

MAX 3,8 t



DOCDI0000495



4,3



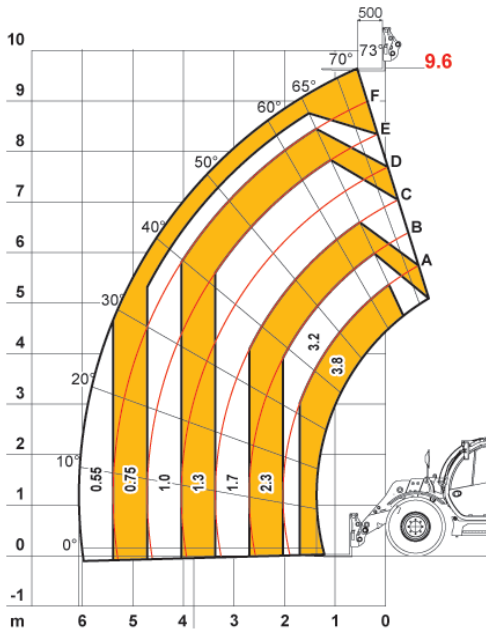
EN1459

38.8 EVO2

MAX 3,8 t



DOCDI0000496



6,1



EN1459

38.10 EVO2