

# HYDRAULIC BREAKER

## SQ Premium Series

**SOOSAN**  
HARD HITTING RELIABILITY





## Reliable & Hard-Hitting BREAKERS

**The SQ Premium Series is the latest design from SOOSAN and delivers the most powerful hitting force to weight ratio!**

The SQ Premium Series in addition integrates features to improve operator convenience, increased productivity and lower cost of operations, all to provide the best overall breaker value available today.

# SQ Premium Series

The latest design from Soosan is the SQ breaker. It is the result of more than 4 decades of experience since the company's inception in 1984. Through active communication and monitoring of a large group of valuable customers from around the world, we have gained working experience from quarry, mining and construction industries. The SQ series is practically innovated hydraulic breaker while maintaining the superiority of the percussion mechanism and easy maintenance of the existing SB series

## Advanced design technology for output energy

The well known-powerful performance of the SB hydraulic breakers is continued on the SQ line. With improvements to the percussion mechanism allows even more reliable and durable operation than the SB line.

## Enhanced vibration dampening & sound suppression system

Meet strict noise regulations and allow more comfort for operator.

Further features and standard connections for underwater operation and an automatic lubrication pump.

## Many special features for operator convenience and productivity

IPC & ABH System, built-in auto lubrication system and many special functions maximize operator convenience and productivity

## Service and maintenance friendly

The service panel gives direct and easy access to key components without removing the power cell from the housing.



# SQ UNIQUE TECHNOLOGY

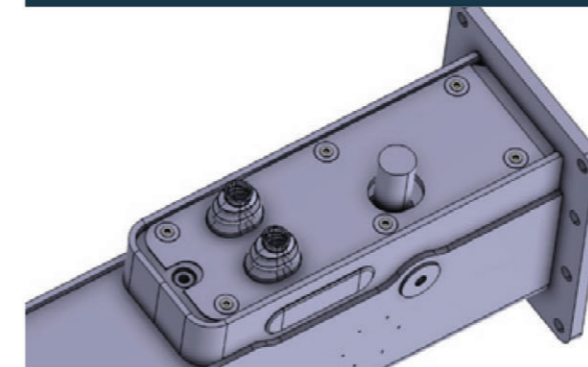
## Built-in Auto Lubrication System



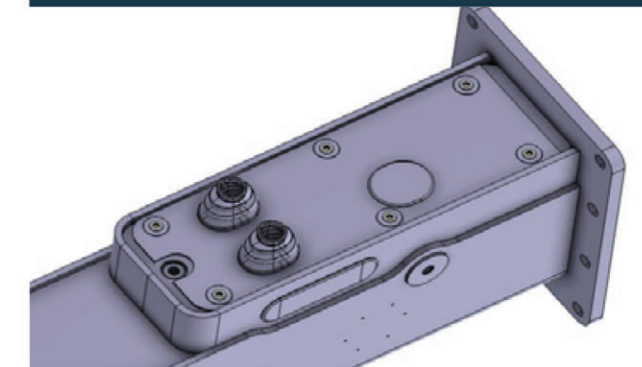
**A new concept Auto lubrication system in the market for SQ premium series**

- Simple structure auto lubrication system
- No separate hoses and fittings connection needed
- Replacement grease cartridge
- Plug closed when not in use (operator selectable)
- Easy check and maintenance

When in use of auto lubrication

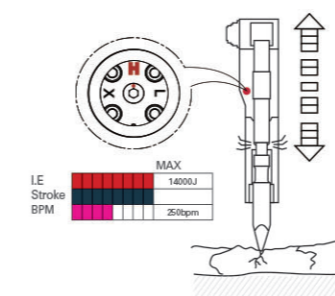


When not in use



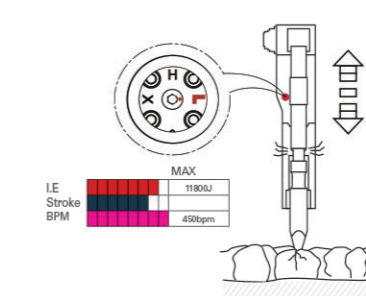
## IPC & ABH System Control

H - MODE



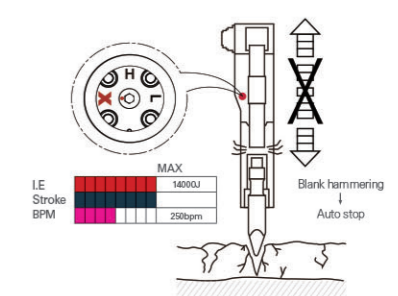
Long stroke & extra power. ABH system is OFF

L - MODE

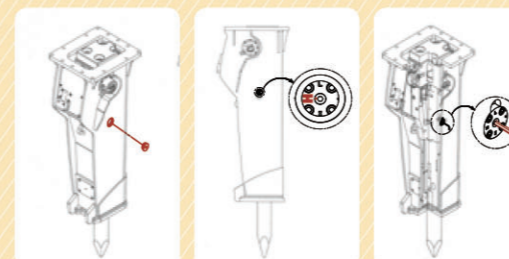


Short stroke & maximum frequency. ABH system is OFF

X - MODE



Long stroke & extra power. ABH system is ON



Selector switch offers three operating modes and can be simply altered to each mode :

- H - mode : Long stroke with maximum power, ABH is off
- L - mode : Short stroke with maximum frequency, ABH is off
- X - mode : Long stroke with maximum power, ABH is on  
(Blank hammering ⇒ Auto stop)
- Easy start

## SMALL RANGE BREAKERS

Soosan designs, manufactures and supports reliable and cost effective 8 models of SQ small breakers for all makes and models of skid/track loaders and compact excavators and backhoe loaders



### **Built-in auto lubrication**

Soosan built-in auto lubrication system is a new concept in the market. This system is designed as simple structure, there is no separate hoses and fittings connection. Operator can simply choose whether use auto lubrication or not by closing plug. Easy check and maintenance provide comfort to operator.

### **Unique advanced power control**

This feature provides the optimum breaker power and blow frequency for the job-site requirements.

Operator can choose from three stroke selection to increase production efficiency while reducing operating and maintenance cost.

### **Fewer components, less maintenance**

Simple structure of SQ small breaker enables maintenance cost to be reduced



### **High power to weight ratio**

The use of high quality materials and high technology results in less weight, and higher performance.

## FAST FACTS

- Patented built-in valve system
- Slip-fit lower bushing
- Accumulator free design
- Fits all makes and models of skid/track loaders and compact excavators
- Unique built-in auto lubrication and advanced power control system(Available on SQ35-SQ50)



## MEDIUM-HEAVY RANGE BREAKERS

SQ middle and heavy breakers are designed for operator to maximize productivity as well as convenience with many special features.



### **Slim profile with robust structure**

State of art slim profile for better visibility in narrow trench work. Hardox steel reinforcements at the lower end of the housing, protect the casing and power cell.

### **IPC & ABH System,**

Allows you to choose from 3 different modes. The automatic anti blank hammering function can be switched off or on. Operator can select the correct operating mode from high frequency with normal power to low frequency with extra power. With this advanced system, operator may choose the correct mode in accordance with site requirements in a matter of minutes and with a minimum of hassle.

### **Auto shut-off & easy start**

Hydraulic breaker operating can be automatically stopped in order to prevent consequential damage to the power cell due to the blank hammering.

Especially in secondary breaking or when operator is unskilled. Hydraulic breaker operation is easy to restart when soft pressure is applied to the chisel to the work surface

### **Tie bolt nut locking device**

This prevents the power cell from consequential damage that may be caused by the loosening of the tie bolt.



## **FAST FACTS**

- Anti-blank firing and easy start function
- Variable blow frequency and impact power
- Swivel hose adapters
- Anti-dust protection
- Improved vibration-noise damping absorbs
- If Design Award -Winner
- 9 models to fit all makes and models carriers from 15-90 tons

# SMALL RANGE BREAKERS

## Applications

- Site preparation
- Foundation works
- Road construction
- Demolition works
- General construction works



# MEDIUM-HEAVY RANGE BREAKERS

## Applications

- Primary and secondary breaking in quarries
- Site preparation, foundation works
- Road construction
- Demolition works, heavily reinforced concrete
- Trenching
- Tunneling
- Bench leveling
- General construction works

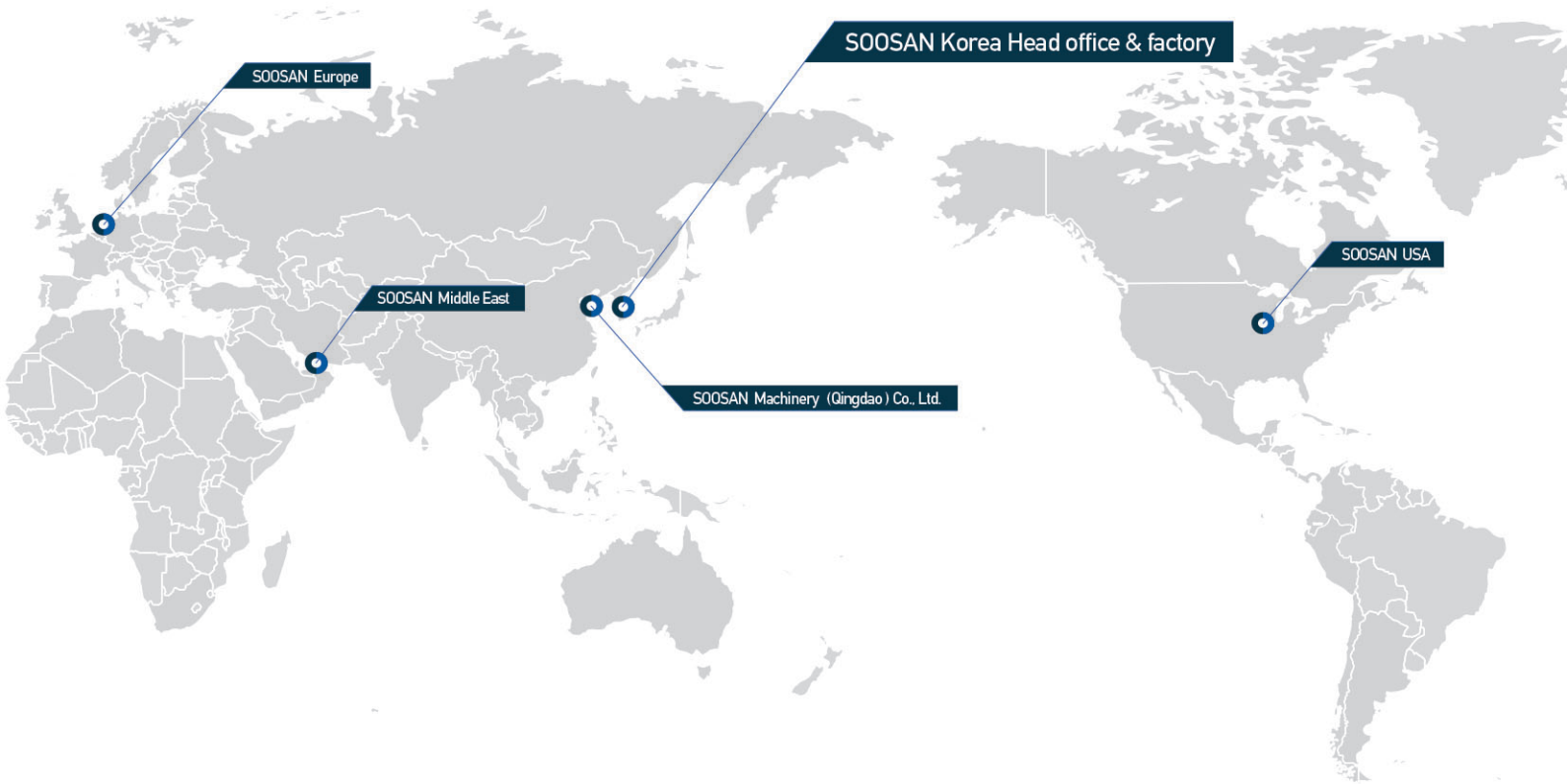


Model	Operating weight kg (lbs)	Carrier weight ton (lbs)	Height mm (inch)	Required oil flow l/min (g/min)	Operating pressure bar (psi)	Impact rate (bpm)		Tool diameter mm (inch)
						Short/Mid	Standard	
SQ10	104 (229)	0.8~2.5 (1,700~5,500)	1,135 (44.7)	15~35 (4~9)	90~12 (1,280~1,707)	-	800~1,530	40 (1.6)
SQ20	130 (287)	1.2~3.0 (2,600~6,600)	1,213 (47.8)	20~45 (5.3~11.9)	90~12 (1,280~1,707)	-	700~1,320	45 (1.8)
SQ30	156 (344)	2.0~4.5 (4,400~9,900)	1,317 (51.9)	25~55 (6.6~14.5)	90~12 (1,280~1,707)	-	600~1,250	53 (2.1)
SQ35 AutoLube	231 (510)	3~6 (6,600~13,200)	1,472 (58)	30~65 (7.9~17.2)	100~130 (1,422~1,849)	960~1,690	620~1,040	60 (2.4)
SQ40 AutoLube	299 (660)	4~9 (8,800~19,800)	1,620 (63.8)	40~75 (10.6~19.8)	110~140 (1,565~1,991)	900~1,650	570~1,020	68 (2.7)
SQ43 AutoLube	379 (836)	5~12 (11,000~26,400)	1,899 (74.8)	50~90 (13.2~23.8)	120~150 (1,707~2,134)	800~1,330	540~800	75 (3.0)
SQ45 AutoLube	566 (1,249)	7~15 (15,400~33,000)	2,161 (85.1)	60~110 (15.9~29.1)	130~160 (1,849~2,276)	740~1,195	525~850	85 (3.3)
SQ50 AutoLube	845 (1,864)	9~16 (19,800~35,200)	2,316 (91.2)	80~120 (21.1~31.7)	150~170 (2,134~2,418)	650~1,020	455~730	100 (3.9)



Model	Operating weight kg (lbs)	Carrier weight ton (lbs)	Height mm (inch)	Required oil flow l/min (g/min)	Operating pressure bar (psi)	Impact rate (bpm)		Tool diameter mm (inch)
						H/X-Mode	L-Mode	
SQ60	1,607 (3,543)	15~18 (33,000~40,000)	2,561 (101)	90~120 (23.8~31.7)	160~180 (2,276~2,560)	350~650	600~850	125 (4.9)
SQ70	1,759 (3,878)	16~21 (40,000~46,000)	2,656 (105)	100~150 (26.4~39.6)	160~180 (2,276~2,560)	350~600	500~850	135 (5.3)
SQ80	2,053 (4,526)	18~26 (40,000~58,000)	2,806 (110)	120~180 (31.7~47.6)	160~180 (2,276~2,560)	350~500	500~700	140 (5.5)
SQ100	2,185 (4,817)	25~35 (55,000~77,000)	2,924 (115)	150~210 (39.6~55.5)	160~180 (2,276~2,560)	300~450	430~580	150 (5.9)
SQ120	2,671 (5,889)	28~35 (62,000~77,000)	3,168 (125)	180~240 (47.6~63.4)	160~180 (2,276~2,560)	300~450	430~580	155 (6.1)
SQ130	3,033 (6,687)	30~45 (66,000~100,000)	3,360 (132)	200~260 (52.8~68.7)	160~180 (2,276~2,560)	250~400	380~550	165 (6.5)
SQ140	3,169 (6,986)	30~45 (71,000~110,000)	3,441 (135)	200~260 (52.8~68.7)	160~180 (2,276~2,560)	200~350	300~500	165 (6.5)
SQ150	3,950 (8,708)	40~55 (88,000~121,000)	3,577 (141)	210~290 (55.5~76.6)	160~180 (2,276~2,560)	200~350	320~470	175 (6.9)
SQ181	5,889 (12,983)	50~90 (110,000~200,000)	4,112 (162)	350~450 (93~119)	180~200 (2,560~2,845)	200~300	300~400	200 (7.9)

# SOOSAN Global Network



## Head office / Hwaseong Factory

260, Jeongmunsongsan-Ro, Yanggam-Myeon, Hwaseong-Si, Gyeonggi-Do, Korea  
TEL +82-31-350-5273 FAX +82-31-350-5259 EMAIL info2@soosan.co.kr

## SOOSAN China

Soosan Machinery (Qingdao) Co., Ltd.

North of Keyun-Road, East of Zhengyuan-Road, Qingdao National High-Tech Industrial Development Zone, Qingdao, Shandong Province, China  
TEL +86-532-8796-5655 FAX +86-532-6868-2360 EMAIL saomai@soosan.co.kr

## SOOSAN Europe

Ohmweg 18, 3208 KE, Spijkenisse, Netherlands  
TEL +31-181-69-7593 FAX +31-181-64-1038 EMAIL info@soosan.nl

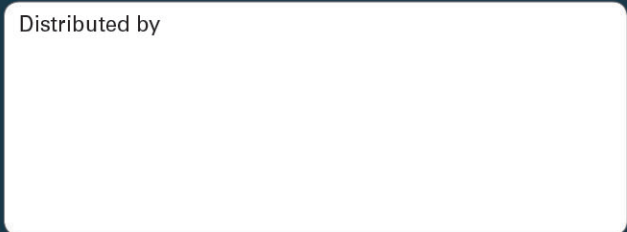
## SOOSAN Middle East

P.O. BOX : 262280, LOB14-313 Jebel Ali Free Zone, Dubai, UAE  
TEL +971-4-881-0502 FAX +971-4-881-0503 EMAIL kimht@soosan.co.kr

## SOOSAN USA Inc.

1261 Wiley Rd Unit B Schaumburg, IL 60173  
TEL +1-847-744-5982 FAX +1-847-890-6728 EMAIL keesj@soosan.co.kr  
www.soosanmachinery.com/

Distributed by



[www.soosanheavy.com](http://www.soosanheavy.com)

Copyright SOOSAN. SOOSAN reserves the right to alter specifications without prior notice



Printed in Korea  
English Ver. 2022.10